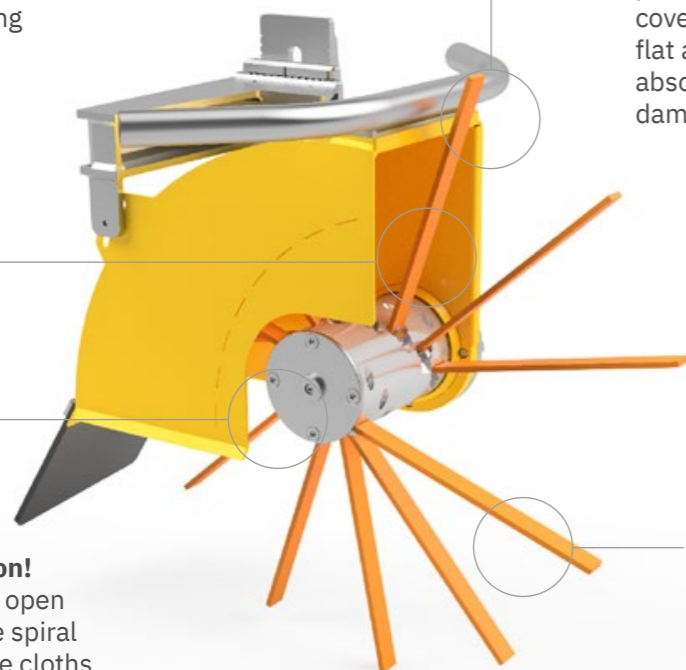


# Merciless to stem shoots! Gentle to the vine!

## The vine-stem cleaner STP

**PATENTED!**

**That's fun!**  
Directly accessible greasing points, maintenance-free drive. Uncomplicated and quick replacement of each individual cloth



**Can also be used on young vines!**  
The wide, soft rubber cloths are pretensioned by the protective cover and thus hit the vine in a flat angle. The energy is optimally absorbed and prevents relevant damage to the vine

**Winding protection!**  
The shaft which is open to the rear and the spiral arrangement of the cloths prevent weeds from winding up even under extreme conditions

**It's the mix that does it!**  
Thanks to the special composition of the cloths, they reliably and cleanly remove all shoots, but at the same time are gentle to the vine

Model	Working width	Number of cloths	Oil demand	Weight
<b>STP</b>	15 cm	12	18 - 25 l/min	36 kg



**Clever combination!**  
Mounted at the front of the mower, it not only removes all the shoots, but it also brushes the weeds under the mower blades. All this at low rpm, therefore being gentle on the

vinestem. This allows mulching and inter-row cleaning all in one pass.

# The next generation!

## The inter-row line mower FR-Evo

**PATENTED!**

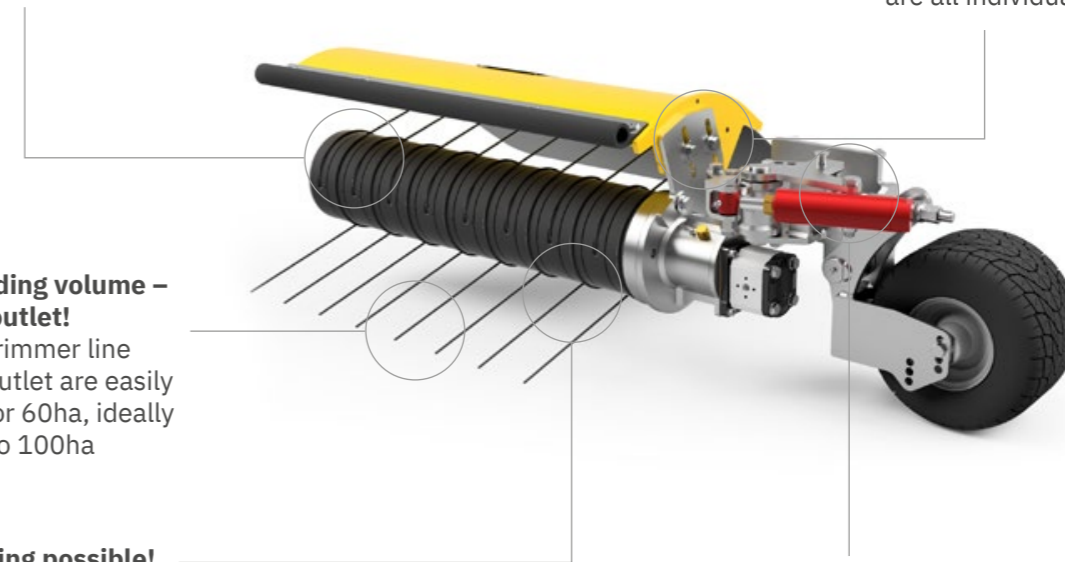
**Patented single line spool cassettes!**  
Each line can be readjusted or refilled individually – quick and easy!

**Up to any situation!**  
Working width, rotor speed and angle as well as the protective cover are all individually adjustable

**15 m loading volume – per line outlet!**  
15 m of trimmer line per line outlet are easily enough for 60ha, ideally even up to 100ha

**No shearing possible!**  
The notch and the flat exit angle of the line prevent it from shearing off at the outlet. This means that the line can always be conveniently readjusted from the outside without opening the rotor

**End position damping!**  
Prevents oscillation and dampens the kickback of the line mower. The counter-pressure can be adjusted continuously



Model	Working width	Number of lines	Oil demand	Weight
<b>FR-EVO-10</b>	20 cm	10	12 - 18 l/min	65 kg
<b>FR-EVO-16</b>	35 cm	16	12 - 18 l/min	85 kg
<b>FR-EVO-10 for banks</b>	40 cm	10	12 - 18 l/min	105 kg
<b>FR-EVO-16 for banks</b>	70 cm	16	12 - 18 l/min	116 kg



**Absolutely gentle!**  
Clean mowing results even at low rpm. The staggered line arrangement and the large rotor diameter make it possible.



**Made for banks!**  
The specially developed line mower for banks is equipped with additional hydraulic joints. The vertical angle of attack is hydraulically adjustable up to 70°.



# Precision meets power!

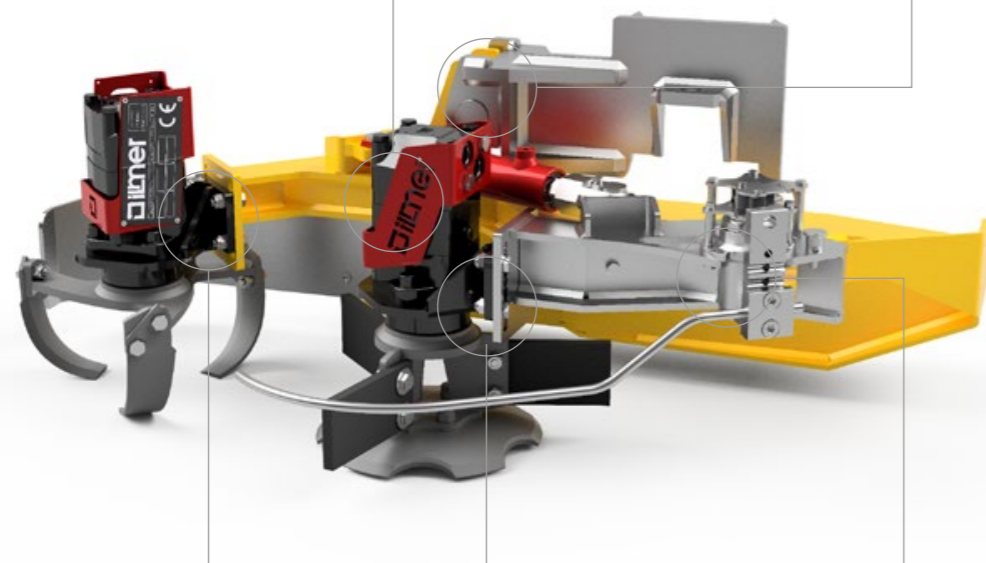
## The power harrow KR260

### Power pack!

Thanks to the enormous torque, the two heads easily cultivate even dry and compact soil

### Ideal ground hugging!

Two oil-driven heads are pendulum mounted on a skid



### Flexible!

Separately adjustable working depth of 1-10 cm per head

### Simply clever!

Swing arm electrically retractable without an additional hydraulic cylinder

Model	Working width	Working depth	Oil demand	Weight	Dimensions (Transport position)	
					Width	Depth
<b>KR260</b>	35 - 60 cm	1 - 10 cm	Sensor: 10 l/min Heads: 35-45 l/min	114 kg	116 cm	40 cm



### Very easy to control!

Intuitive cross-lever joystick with practical rotary knob for easy control of the left, right or both sides. Execute different actions at the same time with just one push of a button.



### Precise inter-row cultivation!

The electro-hydraulic fine-touch automatics with its own oil circuit enables even more precise scanning and thus a clean result around the trunk.

# Power sweeper!

## The orchard sweeper

### Maintenance-free orbital motor!

High torque at low rpm prevents the sweeper from jamming even in difficult conditions

### Adjustable inclination!

The stepless two-dimensional tilt adjustment enables optimum adjustment of the working method



### Hardwearing and gentle!

The mixture of plastic and steel strings ensures clean and gentle operation with minimal wear and tear

Model	Working width	Diameter of sweeper	Oil demand	Weight
<b>RB-80</b>	80 cm	80 cm	12 - 18 l/min	50 kg



### Particularly flat design!

Especially in orchards, a flat design is essential in order to entirely clean the area underneath the trees.



### Ideal ground hugging!

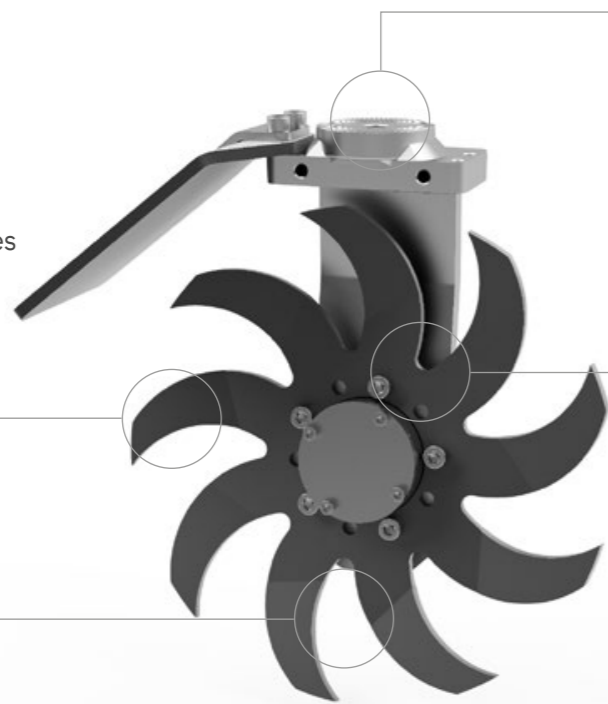
Thanks to the height-adjustable support wheel the sweeper is perfectly following the ground contours.



# Workaholic!

## The star cultivator

**Hardwearing!**  
Hardened, special quality steel guarantees a long service life



**Adjustable working angle!**  
Fine-toothed adjustment of the angle of attack which determines the working width and the aggressiveness of the star cultivator

**That's fun!**  
The solid, maintenance-free bearing ensures trouble-free use - always!

**Ergonomic star shape!**  
Enables use in a wide variety of soils and already works at low driving speeds

Model	Working width	Disc diameter	Material thickness
<b>RH-355-1 - 2</b>	3 - 17 cm	355 (+385) mm	8 mm
<b>RH-355GT-3 - 5</b>	18 - 45 cm	355 mm	8 mm



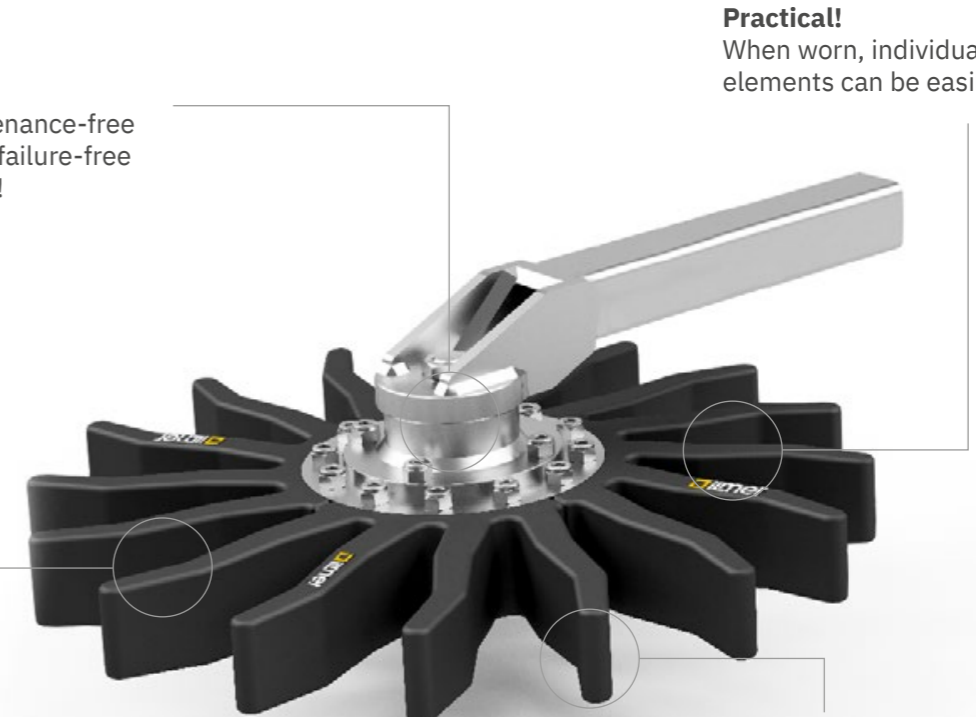
**Hydraulic lifting!**  
Simply lift the star cultivator hydraulically for single-sided work. The special mounting support on the LMG mower makes it possible.

**Flat design!**  
Thanks to its particularly flat design, the star/finger weeder can be used for both vineyards and orchards. The various working and tilt angles can be infinitely adjusted.

# Smooth work - Great effect!

## The finger hoe

**That's fun!**  
The solid, maintenance-free bearing ensures failure-free use - at all times!



**Practical!**  
When worn, individual finger elements can be easily changed

**Absolutely gentle!**  
The soft fingers and rounded edges provide optimal protection of the vine

**It's the mix that does it!**  
The flexible fingers work cleanly around the vine and their spring action ensures perfect soil harvesting.

Model	Working width	Disc diameter
<b>FH-560</b>	ca. 25 cm	560 mm
<b>FH-850</b>	ca. 40 cm	850 mm



**Clean and gentle!**  
The flexible fingers work cleanly around the vine and their spring action ensures perfect soil harvesting.

**Clever combination!**  
Mounted on a LMG rotary mower enables clean mulching and an efficient mechanical weed control just in one step.