

Forklift

PATENTED HYDRAULIC
Fork-closing

Maximum visibility
OF THE LOADING AREA

Compact, stable design
DESPITE LIGHT CONSTRUCTION

Permanent resistant
THANKS TO HIGH QUALITY COMPONENTS

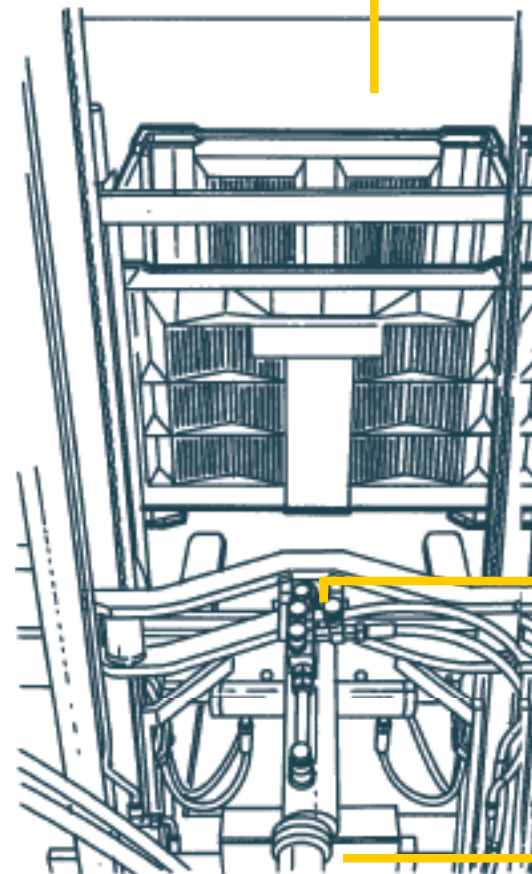


K2-D Forklift

FOR FRUIT FARMING AND
VITICULTURE



Perfect view to the loading area
for fast and safe operation





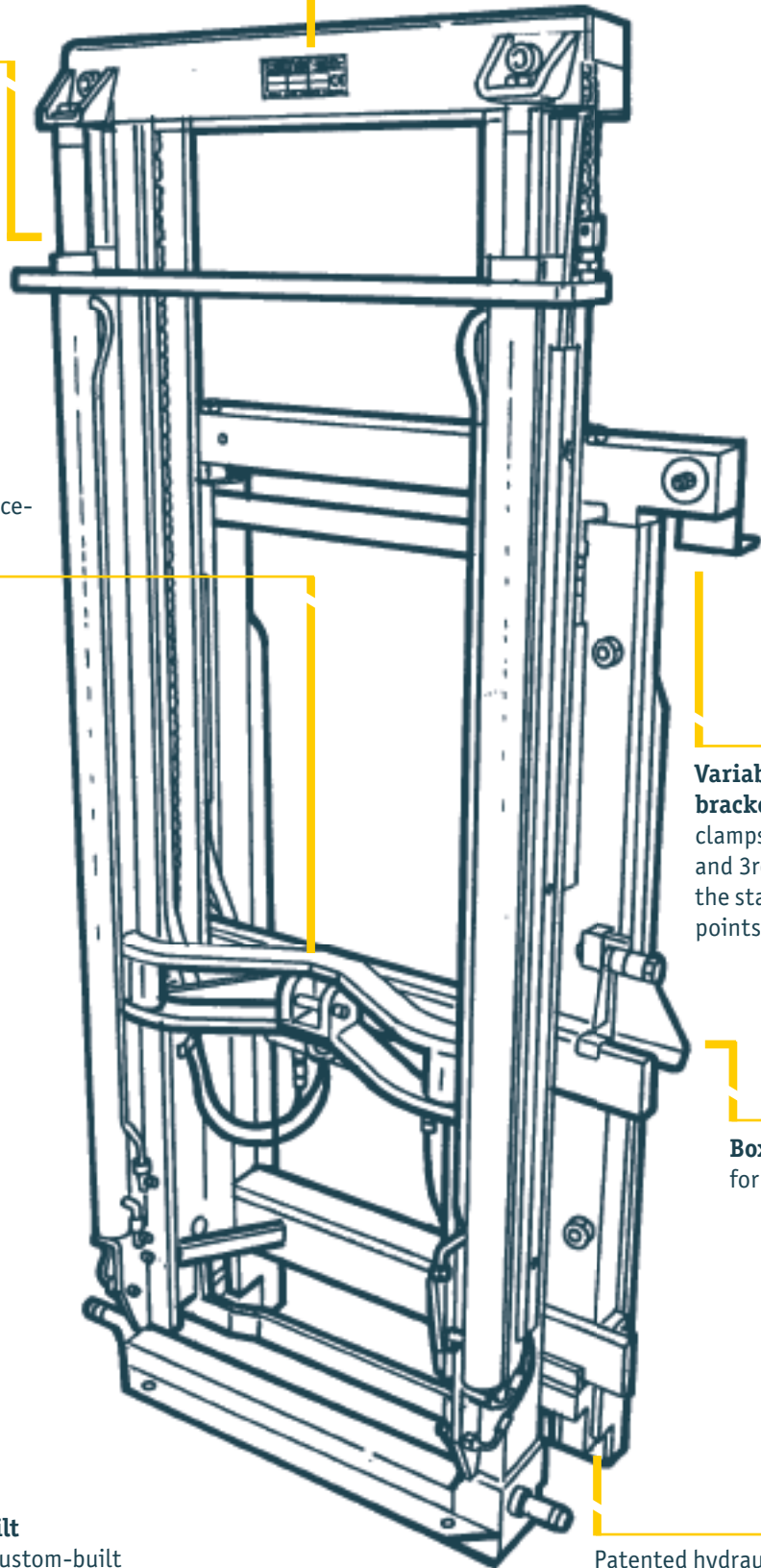
8 Maintenance-free
combination bearings
guaranteed lifetime

Valid CE certification
EC Directive compliant

Lateral movement
of 19 cm mounted to maintenance-
free, high-quality plastic

Ideal three point position
enables adjustment
up close to the tractor

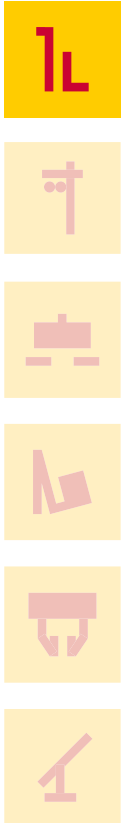
Maximum tilt
thanks to a custom-built
three point cylinder



**Variable box
bracket**
clamps the 2nd
and 3rd box to
the stable corner
points

Box holder
for the first box

**Patented hydraulic
fork-closing**

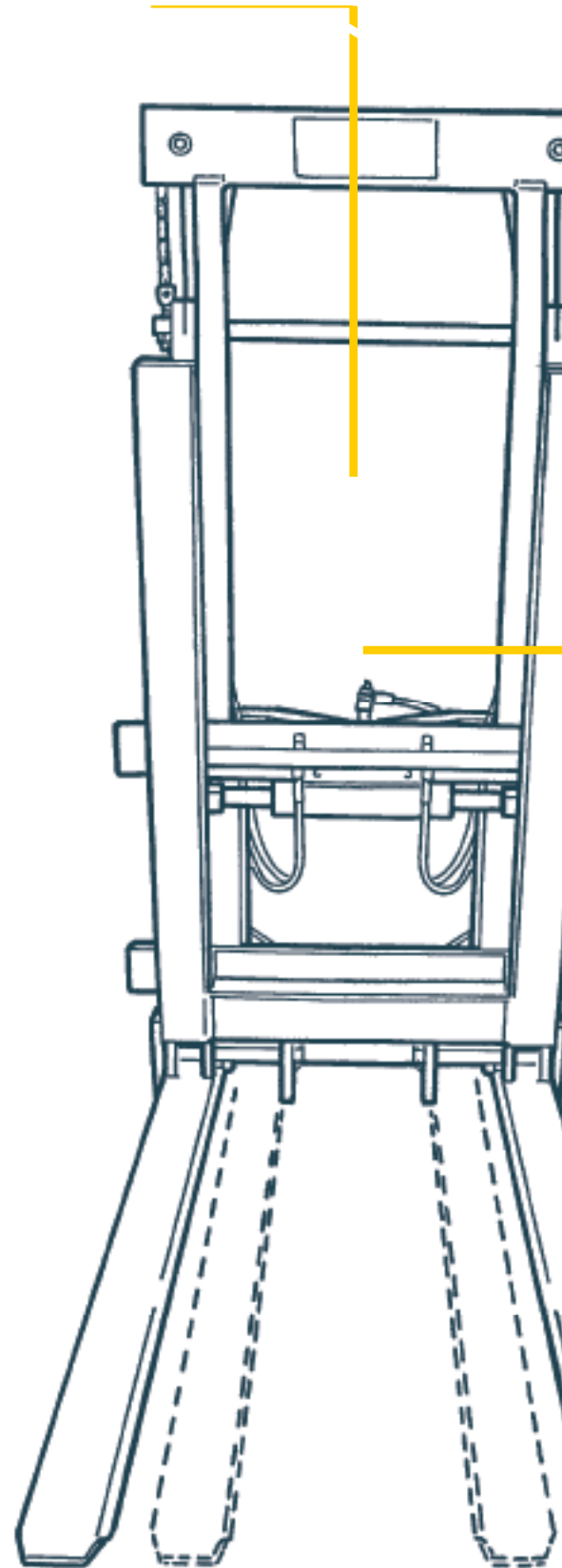


ECO Forklift

FOR URBAN AND
INDUSTRIAL AREAS



Perfect view to the loading area
for fast and safe operation



Manual adjustment of the **forks**
for pallets of different sizes



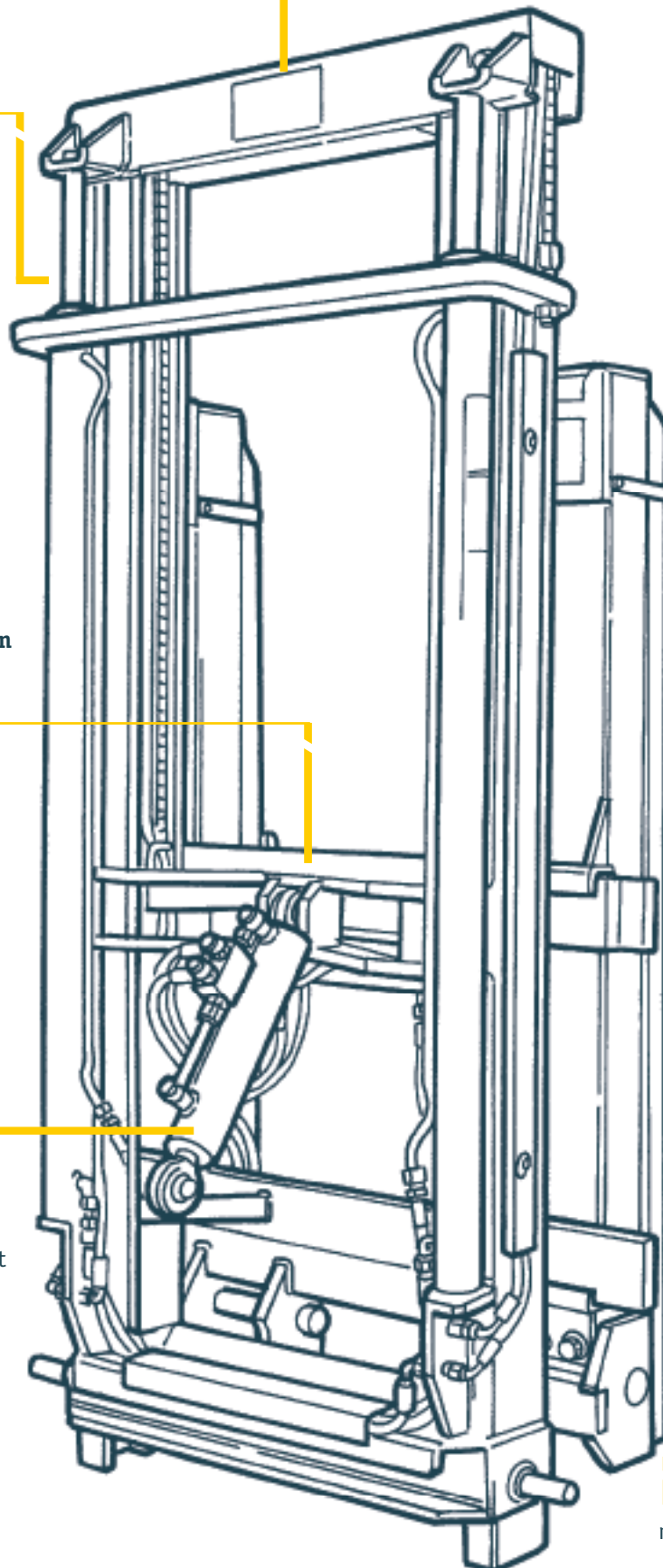
Valid CE certification
EC Directive compliant

8 Maintenance-free combination bearings guaranteed lifetime

Ideal three point position enables adjustment up close to the tractor

Free dual action connection on the loading zone

Maximum tilt thanks to a custom-built three point cylinder



Attaching the lifting forks for safe movement

Lateral movement of 19 cm mounted to maintenance-free, high-quality plastic

manual fork-closing



Controls



DIRECT CONNECTION

The simplest and most economical solution. Eight hydraulic hoses are directly connected, so your tractor only needs four double-acting connections.

For controls with electro-proportional joystick an additional regulating valve is mounted on the Forklift.



DISTRIBUTOR LEVERS STIC

Compact and easy solution for every attachment with the requirement for supply and return. Two levers connected in a cross configuration provides the necessary eight motions. The perfectly balanced proportional control and two simultaneous functions enable precise and fast handling.



FENDT CONTROL UNIT

Specially developed for the Fendt 206-209 and 200 Vario ranges. Control using the available built-in joystick provides precise movement control without hydraulic oil hoses in the cab. The four hoses and a 12-volt plug are quickly and easily connected. The attachment kit comprising of link arm chains and three-point records facilitates optimum, safe installation.

Model	K2-D175	K2-D195	K2-D235	K2-D255
Lifting height	170 cm	190 cm	235 cm	250 cm
Lifting power	1500 kg	1500 kg	1500 kg	1500 kg
Weight	339 kg	355 kg	386 kg	398 kg
Height	160 cm	170 cm	190 cm	197,5 cm
Overall width	91 cm	91 cm	91 cm	91 cm
Hydraulic sideshift	9,5+9,5 cm	9,5+9,5 cm	9,5+9,5 cm	9,5+9,5 cm
Hydraulic cylinder	20 cm	20 cm	20 cm	20 cm
hydraulic box bracket	1-3 boxes	1-3 boxes	1-3 boxes	1-3 boxes
Hydraulic closing of the loading forks	standard	standard	standard	standard
Lower link category	1 (\varnothing 22mm/720mm)			



The technical data refers to the basic machine without accessories. All data is approximate and non-binding.



Model	ECO-175	ECO-195	ECO-235	ECO-255
Lifting height	170 cm	190 cm	235 cm	250 cm
Lifting power	1500 kg	1500 kg	1300 kg	1500 kg
Weight	314 kg	330 kg	361 kg	373 kg
Height	160 cm	170 cm	190 cm	197,5 cm
Overall width	91 cm	91 cm	91 cm	91 cm
Hydraulic sideshift	9,5+9,5 cm	9,5+9,5 cm	9,5+9,5 cm	9,5+9,5 cm
Hydraulic cylinder	20 cm	20 cm	20 cm	20 cm
hydraulic box bracket	-	-	-	-
Hydraulic closing of the loading forks	manual	manual	manual	manual
Lower link category	1 (ø 22mm/720mm)			

The technical data refers to the basic machine without accessories. All data is approximate and non-binding.

Accessories



TWO ADDITIONAL HOOKS

Enables fast unloading of 4 to 8 empty boxes whilst the full boxes are clamped at the stable corner points.



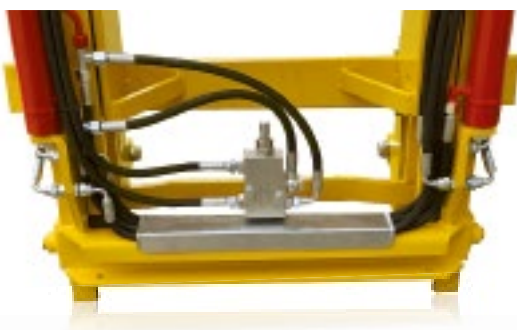
CRATE -RETAINING BLADE WITH SIDE FIXING

Maximum stability and safety by lateral fixation of the boxes. The range of adjustment enables different types of boxes to be clamped.



CRATE-RETAINING BLADE

Centrally mounted plate enables fixation of the 3rd box on the centerline. This method allows a stack of 4 boxes to be transported.



VALVE OVERCENTER

Additional valve enables fine and precise control. For direct connection to an electro-proportional joystick.



Accessories



FIXATION OPTION FOR SMALL BOXES

An ideal solution for fixing different types of boxes. It is possible to stack safely 1, 2 or 3 large boxes and 1, 2, 3 or 4 small boxes.



MANUAL FORK ADJUSTMENT

Facilitates the transport of various pallets and containers. The variable linear movement range is 71-61-51 cm. The hydraulic fork-closing normally only functions in the widest position.



TROLLEY

A useful assistant for installation and removal of the attachment from the tractor. Enables independent parking for storage.



NITROGEN STORAGE DAMPER

This nitrogen-filled storage damper protects your crop from hard impact when driving with the boxes in a clamped condition. The nitrogen storage can be filled to different pressures depending on the load weight requirements.



Bin tipper

Our bin tipper can be mounted on all Ilmer K2-D and ECO series forklifts with a few safe and stable handles. This is an ideal accessory added to our forklifts to create a complete and interesting device. Thanks to the extremely compact design of the bin tipper the usual view of the loading area is not limited and the centre of gravity is maintained as close as possible to the tractor. The unloading and stopping of the bins can be controlled very easily via a single inlet and an oil return.



TECHNICAL DATA

External dimensions	148x80 cm	Load capacity	600 kg
Height	93 cm	Bin support	hydraulic
Total weight	145 kg	Angle of rotation	180°
Bin support track	44-72 cm		

The technical data refers to the basic machine without accessories. All data is approximate and non-binding.

ATTACHMENT POSSIBILITIES: BIN TIPPER ON INDUSTRIAL FORKLIFT

This accessory that is easily mounted on the Ilmer grape container allows the device to also be used on commercially used industrial forklifts

