

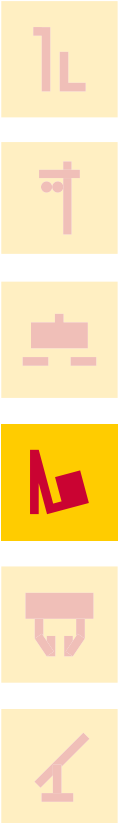
Rear-mounted loader

Strong and robust
EXCLUSIVE USE OF QUALITY COMPONENTS

total allrounder
INCREDIBLY VERSATILE



Model	HS-100	HS-125	HS-150	HS-175	HS-200
Blade width	100 cm	125 cm	150 cm	175 cm	200 cm
Maximum lifting height *	230–250 cm	230–250 cm	230–250 cm	230–250 cm	230–250 cm
Maximum unloading height *	210–230 cm	210–230 cm	210–230 cm	210–230 cm	210–230 cm
Volume/ Weight standard shovel	215 cm 97 kg	270 cm 113 kg	325 cm 129 kg	/	/
Volume/ Weight of bucket for light material	350 cm 113 kg	437 cm 131 kg	525 cm 149 kg	615 cm 167 kg	700 cm 185 kg
Maximum level transportable load	2500 kg	2500 kg	2500 kg	2500 kg	2500 kg
Load at max. unload height	400 kg	400 kg	400 kg	400 kg	400 kg
Power min/max. HP	26/100	30/100	34/100	40/100	50/100
Pressure	175 bar	175 bar	175 bar	175 bar	175 bar
Weight with standard shovel	293 kg	309 kg	325 kg	341 kg	375 kg
Lower link category	1 (\varnothing 22mm/720mm)				



*Depends on the lifting height and the lower linkage.

TYPE A

Control unit on the rear-mounted loader

TYPE B

Control unit on the transporter/tractor

TYPE C

Direct twin double-acting connection

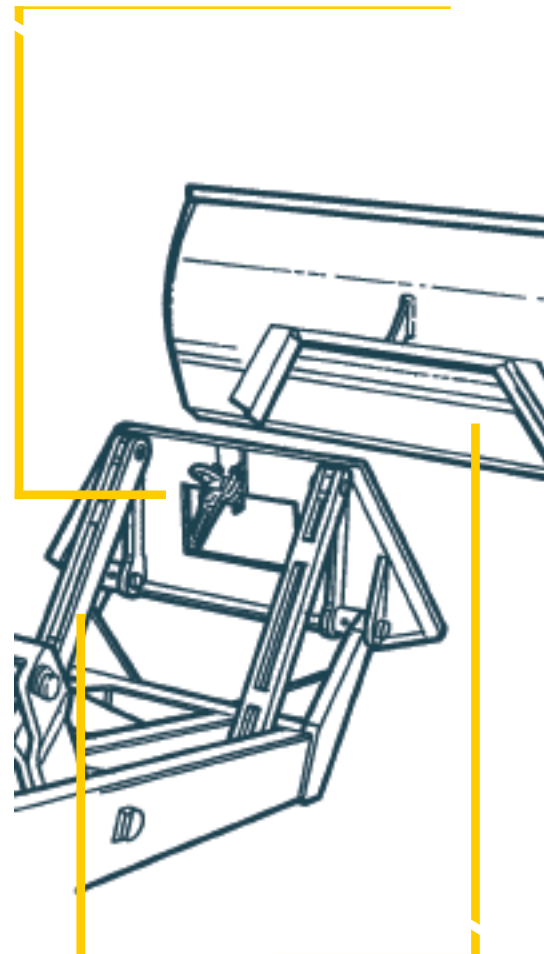


Rear-mounted loader



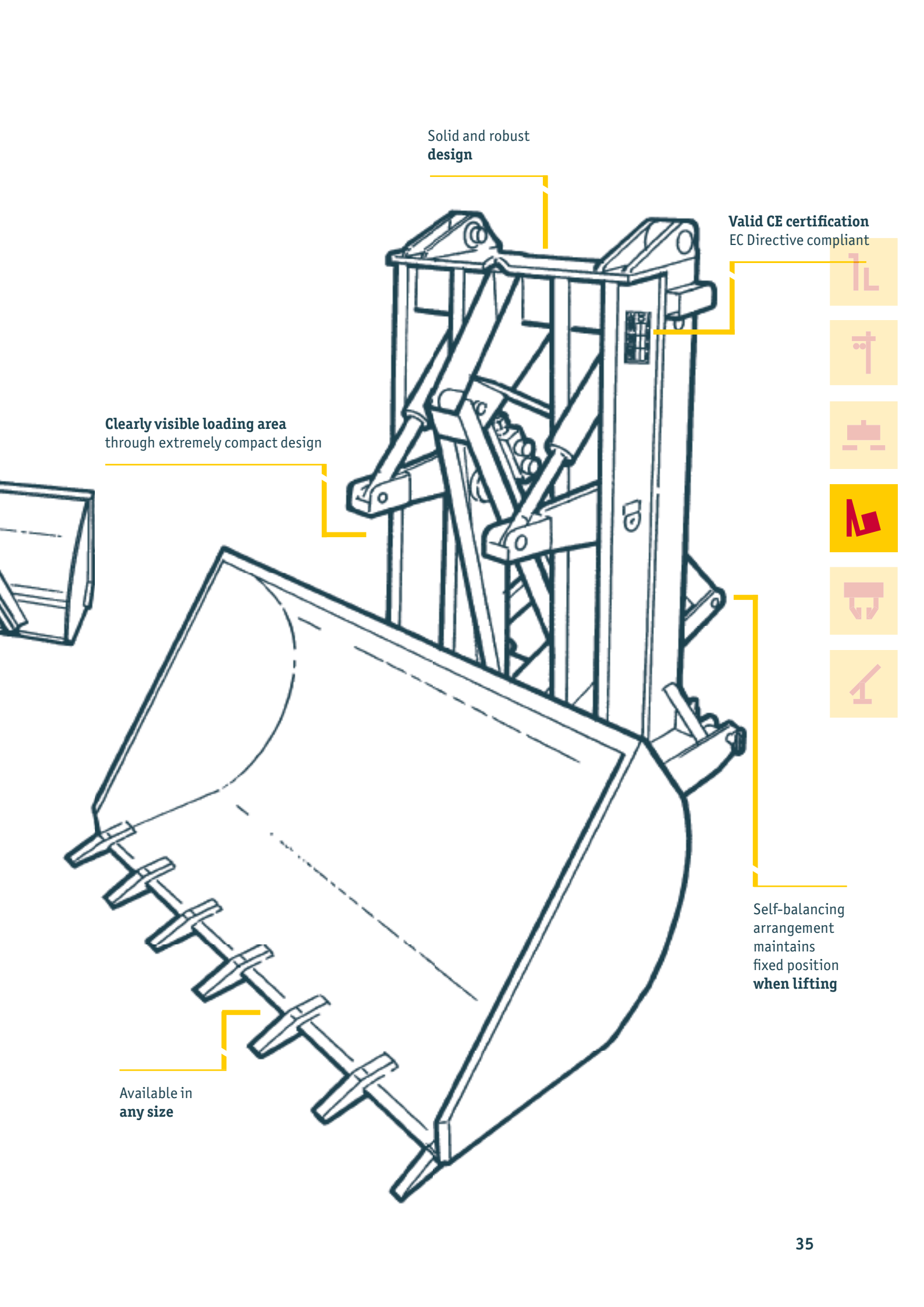
Quick-hitch system

The eccentric safety catch makes changing the accessories quick and easy



Suitable for
**all types of
accessories**

No loss of stability
compared to the standard series



Solid and robust design

Valid CE certification
EC Directive compliant

Clearly visible loading area
through extremely compact design

Self-balancing arrangement
maintains fixed position
when lifting

Available in
any size

Accessories



BAIL FORK

adjustable 55–85 cm
Teeth length selectable 80, 110 and 140 cm
Weight 45 kg



COMBINATION LOADER

Width 120 cm
7 interchangeable teeth each at 140 cm
pitch and hydraulic gripping comb
Weight 175 kg



MANURE FORK

Width 125 cm
10 fixed teeth
Weight 129 kg



GRAPPLE BUCKET

Width 100–180 cm
Available with hydraulic comb



PALLET FORK

Manually adjustable forks
58–78 cm and foldable
Weight 65 kg

Accessories

TROLLEY

A useful assistant for installation and removal of the attachment from the tractor.

Enables independent parking for storage.

Weight 32 kg



EXTENSIONS

Enables attachment to short draft link



SNOW PLOUGH

For blade widths with teeth of 100 cm, 125 cm and 150 cm



ROOT DIGGING ACCESSORY

Can be clamped in position for all blade widths with teeth



ROOT FORK

Width 80 cm with 7 strong teeth
Suitable for transplanting or felling trees

