

# Flail mower

**Light, strong and of stable value**  
THROUGH THE USE OF HIGH QUALITY COMPONENTS

**Simple, convenient and fast**  
MAINTENANCE AND CLEANING





## M2-C150 / G170

- » Light and compact
- » Possibility of one-side swing
- » Parallelogram side movement



## M2-F210 / D230 / K250

- » Light and compact
- » Possibility of two-side swing
- » Parallelogram side movement



Model	M2-C150	M2-G170	M2-F210	M2-D230	M2-K250
Working width	150 cm	170 cm	210 cm	230 cm	250 cm
Lateral movement	65 cm	70 cm	65 cm	65 cm	70 cm
Lateral movement from center of tractor	145 cm	165 cm	140 cm	150 cm	160 cm
Width	155 cm	175 cm	215 cm	235 cm	255 cm
Length	130 cm	140 cm	130 cm	130 cm	150 cm
Weight	258 kg	290 kg	338 kg	359 kg	395 kg
Blades	2	2	3	3	3
PTO	540rpm 1000rpm	540rpm 1000rpm	540rpm 1000rpm	540rpm 1000rpm	540rpm 1000rpm
Power consumption*	20 HP	24 HP	31 HP	34 HP	41 HP
Cut height	5/7/9 cm	5/7/9 cm	5/7/9 cm	5/7/9 cm	5/7/9 cm
Attachment options Front/rear	yes	yes	yes	yes	yes
Lower link category	1 (∅ 22mm/720mm)				



All data is approximate and non-binding. Errors and omissions excepted.

\*Depending on the height and density of the grass. \*\* Optional



**patented**

## LMG

- » Possibility of two-side swing
- » Two mobile cutting blades on the base unit
- » Separate, continuous and linear cutting width adjustment

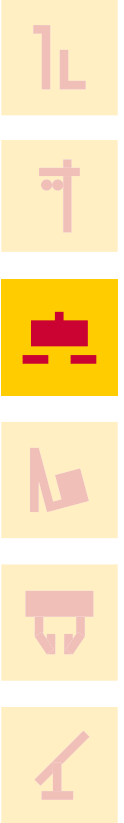


## ZMG

- » Possibility of two-side swing
- » Shredding-spraying system combination



Model	LMG-145	LMG-175	LMG-210	LMG-245	LMG-260	ZMG-120	ZMG-160	ZMG-180	ZMG-210	ZMG-230	ZMG-250
Working width	115-145 cm	125-175 cm	150-210 cm	180-245 cm	190-260 cm	120 cm	160 cm	180 cm	210 cm	230 cm	245 cm
Lateral movement	/	/	39 cm**	39 cm**	39 cm**	/	45 cm	45 cm	45 cm	45 cm	45 cm
Lateral movement from center of tractor	/	/	125 cm**	145 cm**	150 cm**	/	105 cm	115 cm	130 cm	140 cm	150 cm
Width	120 cm	130 cm	155 cm	185 cm	195 cm	125 cm	165 cm	185 cm	215 cm	235 cm	250 cm
Length	125 cm	140 cm	160 cm	175 cm	195 cm	120 cm	120 cm	120 cm	140 cm	140 cm	150 cm
Weight	445 kg	495 kg	545 kg	595 kg	645 kg	380 kg	430 kg	450 kg	470 kg	490 kg	520 kg
Blades	2	2	2	2	2	3	3	3	3	3	3
PTO	540rpm 1000rpm			540rpm	540rpm	540rpm 1000rpm					
Power consumption*	30 HP	35 HP	40 HP	45 HP	50 HP	22 HP	24 HP	30 HP	35 HP	40 HP	45 HP
Cut height	5/7/9 cm	5/7/9 cm	5/7/9 cm	5/7/9 cm	5/7/9 cm	5/7/9 cm	5/7/9 cm	5/7/9 cm	5/7/9 cm	5/7/9 cm	5/7/9 cm
Attachment options Front/rear	yes	yes	yes	yes	yes	yes	yes	yes	yes	yes	yes
Lower link category	1 (ø 22mm/720mm)										



All data is approximate and non-binding. Errors and omissions excepted.  
 \*Depending on the height and density of the grass. \*\* Optional



## SMG

- » Possibility of two-side operation
- » Adjustment with spring
- » Adjustment with cylinder and spring
- » Adjustment with double acting cylinder
- » Continuous adjustment of the swivel arm
- » Automatic adjustment

### Accessories

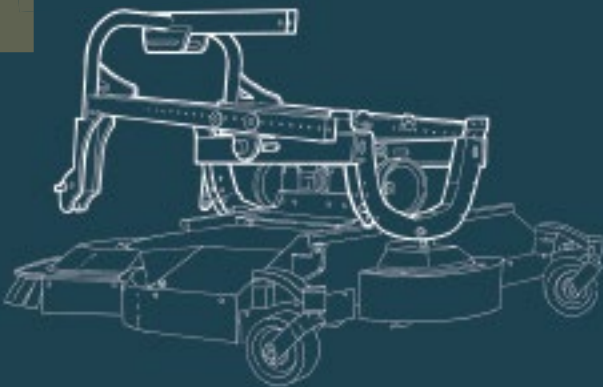


#### THREE-POINT STANDARD FRONT AND REAR SMG-ZMG ATTACHMENT

Enables push and pull operation for the following models:

SMG models: 180/200/200/250/290/300/335/355/380

ZMG models: 120/160/180/210/230/250

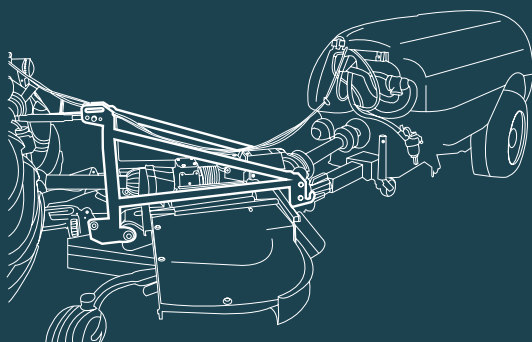


#### THREE-DIMENSIONAL MOBILE FRAME

Three-point frame for all SMG and ZMG models. The pendulum functions guarantee optimal adaptation to the ground and are the ideal solution for reversible-seat tractors.

The maximum distribution of weight over the drive wheels and the central pivot guarantee optimal traction in difficult terrain.

(Not possible for SMG-335/SMG-355 and SMG-380)



#### PREPARATION MULCH-SPRAY-COMBINATION

Enables the connection of an attached spraying device.

The suspension allows the mulching equipment to be perfectly adjusted to the ground, and the load of the drawbar is optimally transmitted to the tractor.

In combination with the tandem roller, you can achieve a high driving speed with only minimal soil compression.

Available for all: SMG models: 250/290/300/335/380

ZMG models: 160/180/210/230/250

Model	SMG-180	SMG-200	SMG-220	SMG-250	SMG-290	SMG-300	SMG-335	SMG-355	SMG-380
Working width	120-180 cm	120-200 cm	130-220 cm	170-250 cm	180-290 cm	185-305 cm	215-335 cm	230-355 cm	245-380 cm
Lateral movement	/	/	/	45 cm	45 cm	45 cm	45 cm	45 cm	45 cm
Lateral movement from center of tractor	/	/	/	165 cm	175 cm	185 cm	200 cm	210 cm	216 cm
Width	125 cm	125 cm	135 cm	180 cm	190 cm	200 cm	225 cm	240 cm	250 cm
Length	150 cm	160 cm	170 cm	180 cm	190 cm	195 cm	205 cm	215 cm	200 cm
Weight	410 kg	430 kg	460 kg	520 kg	540 kg	570 kg	580 kg	610 kg	635 kg
Blades	5	5	5	5	5	5	5	5	5
Swing arms	2	2	2	2	2	2	2	2	2
PTO	540rpm 1000rpm	540rpm 1000rpm	540rpm 1000rpm	540rpm 1000rpm	540rpm 1000rpm	540rpm 1000rpm	540rpm 1000rpm	540rpm 1000rpm	540rpm 1000rpm
Power consumption*	28 HP	30 HP	32 HP	34 HP	41 HP	48 HP	54 HP	54 HP	54 HP
Cut height	5/7/9 cm	5/7/9 cm	5/7/9 cm	5/7/9 cm	5/7/9 cm	5/7/9 cm	5/7/9 cm	5/7/9 cm	5/7/9 cm
Attachment options Front/rear	yes	yes	yes	yes	yes	yes	yes	yes	yes
Lower link category	1 ( $\varnothing$ 22mm/720mm)								
Blade-diameter swin arm	40 cm	47,5 cm	58 cm	58 cm	71,5 cm	71,5 cm	71,5 cm	71,5 cm	71,5 cm





## IMG

- » Possibility of one-side swing
- » Adjustment with spring
- » Adjustment with cylinder and spring
- » Adjustment with double-acting cylinder
- » Automatic adjustment



## EMG

- » Possibility of one-side swing
- » Adjustment with spring
- » Adjustment with cylinder and spring
- » Adjustment with double-acting cylinder
- » Automatic adjustment

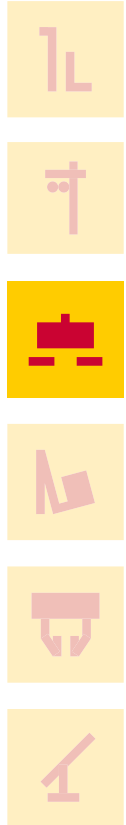


Model	IMG-160-KS	IMG-175-MS	IMG-185-KS	IMG-200-MS
Working width	125-160 cm	125-175 cm	150-185 cm	150-200 cm
Lateral movement	58 cm	58 cm	58 cm	58 cm
Lateral movement from center of tractor	170 cm	180 cm	185 cm	195 cm
Width	130 cm	130 cm	155 cm	155 cm
Length	160 cm	170 cm	170 cm	175 cm
Weight	310 kg	330 kg	340 kg	360 kg
Blades	3	3	3	3
Swing arms	1	1	1	1
PTO	540rpm 1000rpm	540rpm 1000rpm	540rpm 1000rpm	540rpm 1000rpm
Power consumption*	22 HP	24 HP	27 HP	29 HP
Cut height	5/7/9 cm	5/7/9 cm	5/7/9 cm	5/7/9 cm
Attachment options Front/rear	yes	yes	yes	yes
Lower link category	1 (ø 22mm/720mm)			
Bladediameter swin arm	47,5 cm	58 cm	47,5 cm	58 cm



All data is approximate and non-binding. Errors and omissions excepted.

\*Depending on the height and density of the grass. \*\* Optional

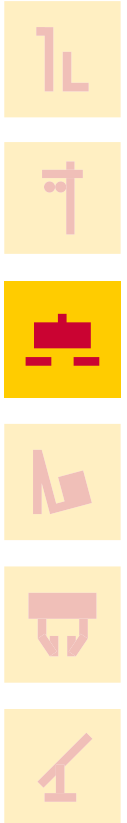


Model	EMG-215-KS	EMG-230-MS	EMG-245-GS	EMG-245-KS	EMG-260-MS
Working width	180-215 cm	180-230 cm	180-245 cm	210-245 cm	210-260 cm
Lateral movement	65 cm	65 cm	65 cm	65 cm	65 cm
Lateral movement from center of tractor	195 cm	205 cm	215 cm	210 cm	220 cm
Width	185 cm	185 cm	185 cm	215 cm	215 cm
Length	160 cm	170 cm	180 cm	165 cm	175 cm
Weight	390 kg	420 kg	440 kg	480 kg	510 kg
Blades	4	4	4	4	4
Swing arms	1	1	1	1	1
PTO	540rpm 1000rpm	540rpm 1000rpm	540rpm 1000rpm	540rpm 1000rpm	540rpm 1000rpm
Power consumption*	30 HP	32 HP	34 HP	35 HP	37 HP
Cut height	5/7/9 cm	5/7/9 cm	5/7/9 cm	5/7/9 cm	5/7/9 cm
Attachment options Front/rear	yes	yes	yes	yes	yes
Lower link category	1 (ø 22mm/720mm)				
Bladediameter swin arm	47,5 cm	58 cm	71,5 cm	47,5 cm	58 cm

All data is approximate and non-binding. Errors and omissions excepted.  
\*Depending on the height and density of the grass. \*\* Optional

**EMG-275-GS EMG-275-KS EMG-290-MS EMG-305-GS EMG-305-KS EMG-330-MS EMG-345-GS**

210-275 cm	240-275 cm	240-290 cm	240-305 cm	280-305 cm	280-330 cm	280-345 cm
65 cm	80 cm	80 cm	80 cm	80 cm	80 cm	80 cm
230 cm	250 cm	260 cm	270 cm	270 cm	280 cm	290 cm
215 cm	245 cm	245 cm	245 cm	285 cm	285 cm	285 cm
185 cm	170 cm	180 cm	190 cm	185 cm	195 cm	205 cm
530 kg	570 kg	590 kg	610 kg	695 kg	715 kg	730 kg
4	4	4	4	4	4	4
1	1	1	1	1	1	1
540rpm 1000rpm	540rpm 1000rpm	540rpm 1000rpm	540rpm 1000rpm	540rpm 1000rpm	540rpm 1000rpm	540rpm 1000rpm
39 HP	40 HP	42 HP	44 HP	45 HP	47 HP	49 HP
5/7/9 cm	5/7/9 cm	5/7/9 cm	5/7/9 cm	5/7/9 cm	5/7/9 cm	5/7/9 cm
yes	yes	yes	yes	yes	yes	yes
1 (ø 22mm/720mm)						
71,5 cm	47,5 cm	58 cm	71,5 cm	47,5 cm	58 cm	71,5 cm





## KMG

- » Lightweight and compact
- » Oscillating arms are continuously adjustable
- » Extra sturdy constructive system

Model	KMG-150	KMG-160
Working width	87-150 cm	102-158 cm
Lateral movement	/	/
Width	90 cm	105 cm
Length	180 cm	180 cm
Weight	305 kg	350 kg
Blades	3	3
Swing arms	2	2
PTO	540rpm 1000rpm	540rpm 1000rpm
Power consumption*	18 PS	18 PS
Cut height	5/7/9 cm	5/7/9 cm
Attachment options Front/rear	only rear	only rear
Lower link category	1 ( $\varnothing$ 22mm/720mm)	
Bladediameter swin arm	40 cm	47,5 cm



All data is approximate and non-binding. Errors and omissions excepted.  
\*Depending on the height and density of the grass. \*\* Optional



	Movable wheels	Double roller	Herbicide system 120lt	Herbicide system 2x75lt	Sheet ranking	Safety marker board	Cardan shaft	Control unit	Cardan coupling
M2-C150			○		○	○	○		
M2-G170			○		○	○	○		
M2-F210			○		○	○	○		
M2-D230			○		○	○	○		
M2-K250			○		○	○	○		
LMG-145	○			○	○	○	○	○	○
LMG-175	○			○	○	○	○	○	○
LMG-210	○			○	○	○	○	○	○
LMG-245	○			○	○	○	○	○	○
LMG-260	○			○	○	○	○	○	○
ZMG-120	●			○	○	○	○		
ZMG-160	●	○		○	○	○	○		
ZMG-180	●	○		○	○	○	○		
ZMG-210	●	○		○	○	○	○		
ZMG-230	●	○		○	○	○	○		
ZMG-250	●	○		○	○	○	○		
KMG-150			○		○	○	○	○	
KMG-160			○		○	○	○	○	
SMG-180	●			○	○	○	○	○	
SMG-200	●			○	○	○	○	○	
SMG-220	●			○	○	○	○	○	
SMG-250	●	○		○	○	○	○	○	
SMG-290	●			○	○	○	○	○	
SMG-300	●	○		○	○	○	○	○	
SMG-335	●	○		○	○	○	○	○	
SMG-355	●			○	○	○	○	○	
SMG-380	●	○		○	○	○	○	○	
IMG-160-KS	○		○		○	○	○	○	
IMG-175-MS	○		○		○	○	○	○	
IMG-185-KS	○		○		○	○	○	○	
IMG-200-MS	○		○		○	○	○	○	
EMG-215-KS	○			○	○	○	○	○	
EMG-230-MS	○			○	○	○	○	○	
EMG-245-GS	○			○	○	○	○	○	
EMG-245-KS	○			○	○	○	○	○	
EMG-260-MS	○			○	○	○	○	○	
EMG-275-GS	○			○	○	○	○	○	
EMG-275-KS	○			○	○	○	○	○	
EMG-290-MS	○			○	○	○	○	○	
EMG-305-GS	○			○	○	○	○	○	
EMG-305-KS	○			○	○	○	○	○	
EMG-330-MS	○			○	○	○	○	○	
EMG-345-GS	○			○	○	○	○	○	

standard ●  
optional ○  
not available □

